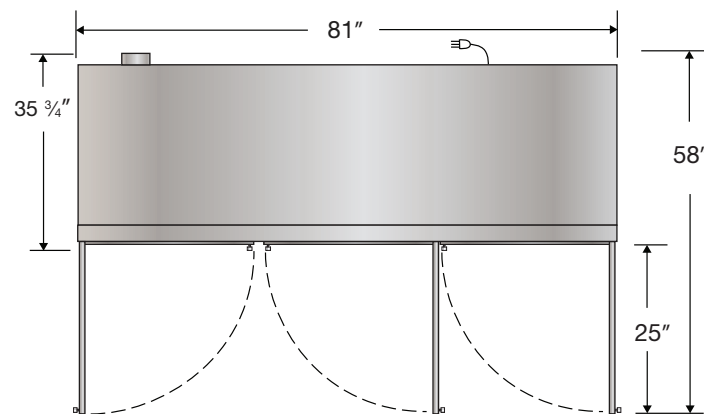
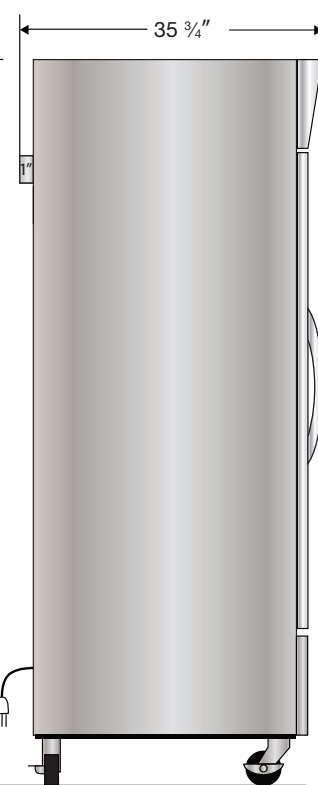
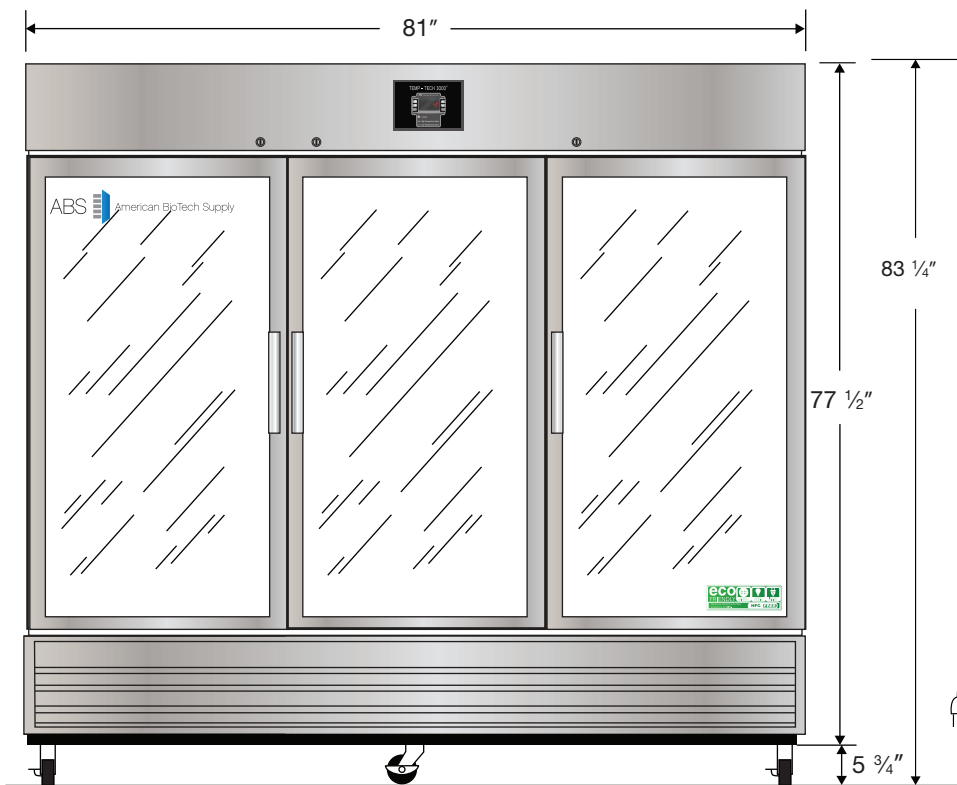



**Front View**

**Side View**

**Top View**



 115VAC/60Hz/1PH  
NEMA-5-15P

Cu. Ft	Defrost	Door	Int Door	Shelves	W"	D"	H"	Refrigerant	H.P.	Amps	Weight
72	Cycle	3 Solid	0	12 Adj.	81	35 3/4	83 1/4	R290	1/2	7.5	725 lbs.