

Dual Intensity Examination Light

Nova Exam LED

Higher performance and value for the practitioner –
enhanced comfort for the patient through its dual intensity setting

Nova Exam LED meets the demands of today's clinical examination applications. The LED light source produces a cool light that enhances physician/patient comfort while delivering a uniform beam pattern and higher illumination levels. A sleek head design, combined with a patented K-arm, allows quick and reliable positioning while being easy to clean and maintain. The operational benefits include lower power consumption and longer light source life.



burton®



Designed for patient comfort and ease of use

- The LED source provides a virtually heat-free light so the patient remains comfortable.
- Dual handles are easily accessible to position the light head.
- The patented K-arm moves smoothly with no drifting.

Enhanced performance

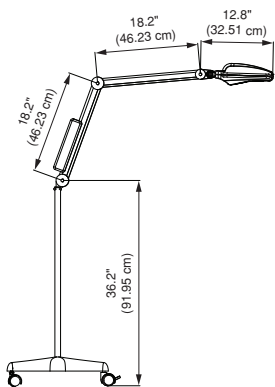
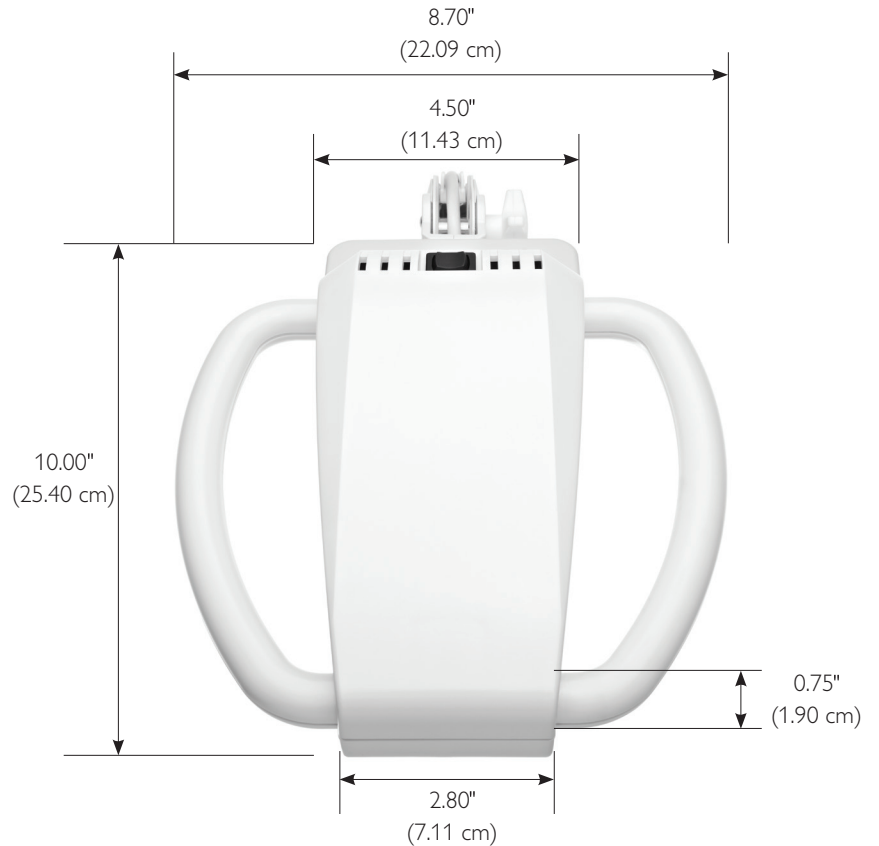
- Nova Exam LED delivers a uniform beam pattern that aids the examination process.
- Dual intensity switching allows a choice between two illumination levels. The low level delivers a 19% increase in light level compared to halogen options.
- Maximum arm reach of 45" (114.30 cm).
- Available with a variety of mounting options (floor stand, table, wall or ceiling) to fit the application.
- Delivers consistent light output during power supply fluctuations.

Lower cost of ownership

- The sleek light head aids routine cleaning.
- The LED source offers 10x the operational life of traditional halogen solutions.
- 58% energy savings over comparable halogen options (at low light level setting) and 18% savings when providing double the illumination.

Long-reaching

Nova Exam LED boasts a maximum arm reach of 45" (114.30 cm).



Floor Stand

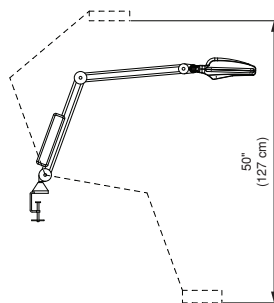
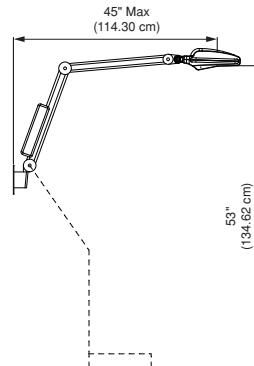
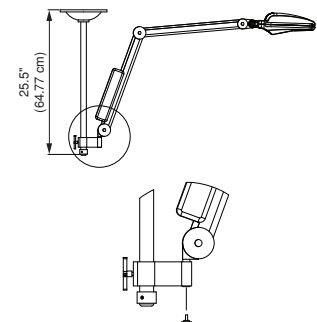


Table Mount



Wall Mount



Ceiling Mount



Ceiling Mount



Versatile

Nova Exam LED is available in a variety of mounting options – floor stand, table, wall or ceiling – to fit any application.



Wall Mount



Table Mount



Floor Stand

Summary of technical data

NOVA EXAM LED

Illuminance:	
Low Level	25,000 Lux (2323 fc) at 18" (46 cm)
High Level	50,000 Lux (4656 fc) at 18" (46 cm)
Color Temperature:	4600 Kelvin
Color Rendering Index (CRI):	93
Light Source:	Light Emitting Diode (LED)
Rated Life:	40,000-hour average LED life
Power:	18 Watts
Mounting Options:	Mobile Floor Stand, Wall/Table Mount, Ceiling Mount
Maximum Arm Reach:	45" (114.30 cm)
Applications:	General examination
Certifications/Approvals:	UL/IEC 60601-1/60601-1-2 3rd Edition, UL/IEC 60601-2-41, CB Certified
Product Warranty:	5-year limited warranty

Ordering Information

NOVA EXAM LED

Universal Input

120v Model	Description
NXFL	Nova Exam LED, Floor Stand
NXT	Nova Exam LED, Table Mount
NXW	Nova Exam LED, Wall Mount
NXC	Nova Exam LED, Ceiling Mount

ACCESSORIES

Model	Description
4000071	10' Ceiling drop tube



© 2018 Burton Medical. All rights reserved.
Burton Medical reserves the right to make changes in specifications and/or to discontinue any product at any time without notice or obligation and will not be liable for any consequences resulting from the use of this publication.

burton[®]

Burton Medical, LLC
2300 W Windsor Ct., Suite C
Addison, IL 60101 USA
Phone (800) 444-9909, Fax (800) 765-1770
Burtonmedical.com